

* The maximum overall height is 2400mm.
 * The minimum overall height is 1800mm.

High lever Flush Pipe kit



long copper pipe 1x



pull handle 1x



fixing sleeve 1x



bracket 2x



tube 1x



decorative cover 1x



panel 1x



pull rod 1x



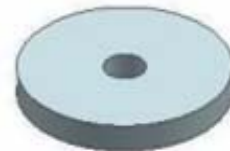
screw 8x



plastic part 8x



gasket 1x



flat gasket 4x



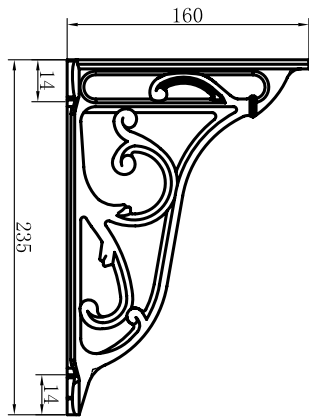
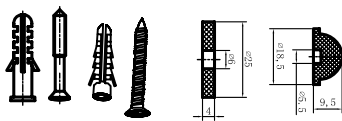
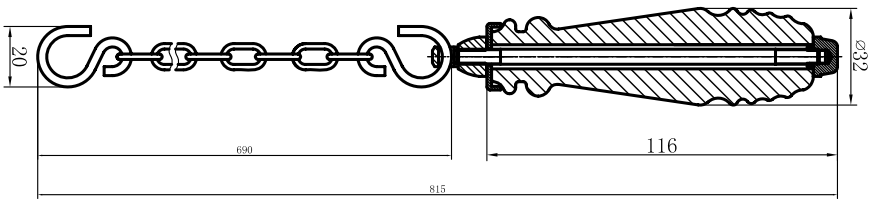
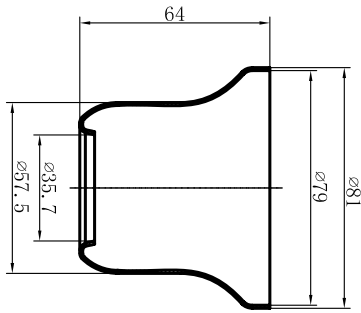
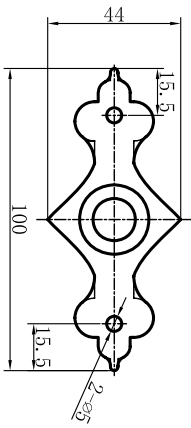
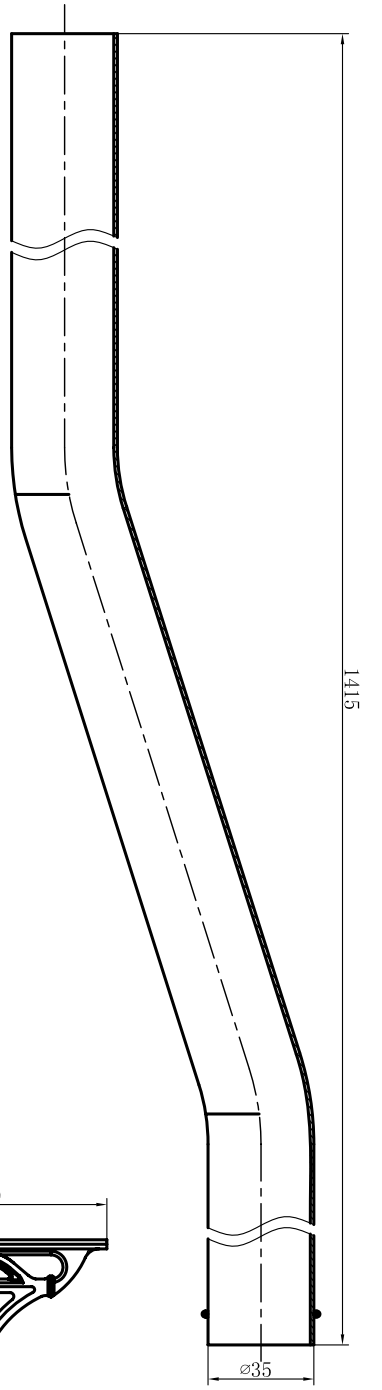
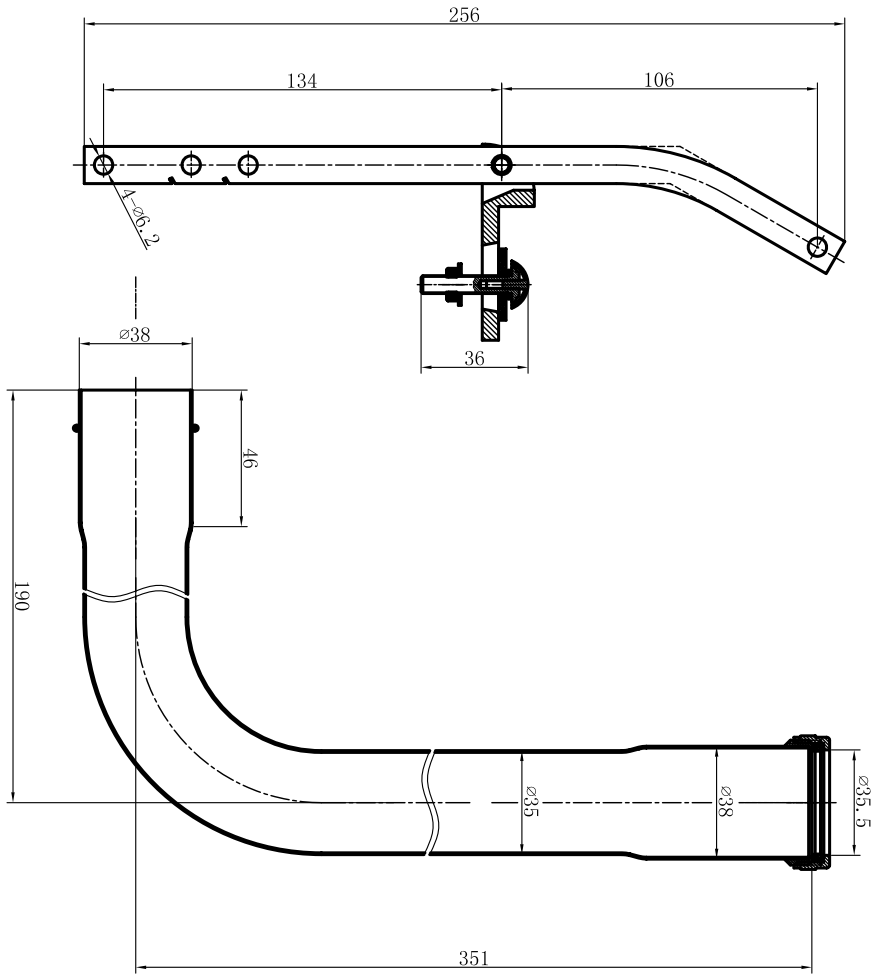
little screw 2x



little plastic part 2x



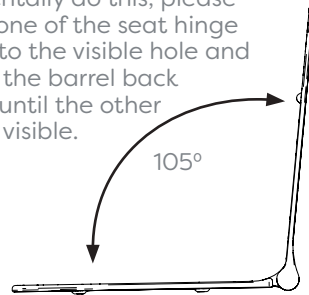
O-ring 2x



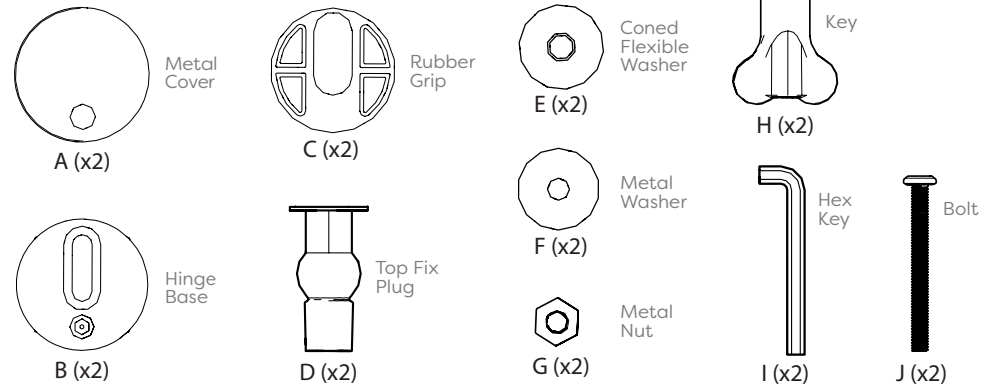
SAFETY & CARE

1. To retain the best quality finish, clean product with a soft cloth and a mild soap solution.
2. Do not use abrasive or chemical cleaners as they may damage the surface of the toilet seat or hinges.
3. Spray cleaning liquids onto the cloth and not directly onto the product.
4. Take care when cleaning the toilet pan with chemical cleaners. Avoid contact of the chemical cleaners with the toilet seat or hinges. Immediately rinse off any splashes to avoid damage or discolouration to the surface of the toilet seat and hinge parts.

5. Please do not open beyond 105 degrees before installation. If you accidentally do this, please insert one of the seat hinge pins into the visible hole and rotate the barrel back round until the other hole is visible.

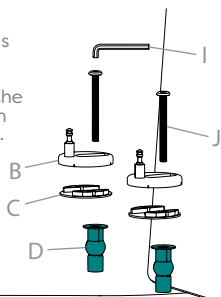


FITTING PACK

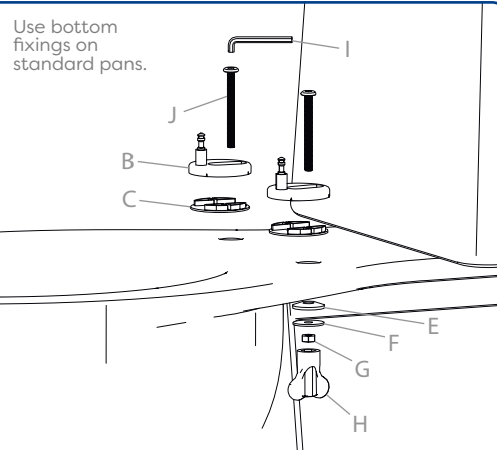


- 1 Loosely fit the brackets to the pan using either the top or bottom fittings.

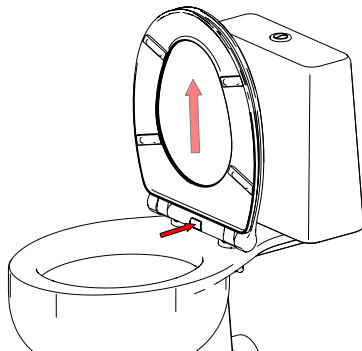
Use top fixings if you cannot access the underside of the fixing holes on the toilet pan.



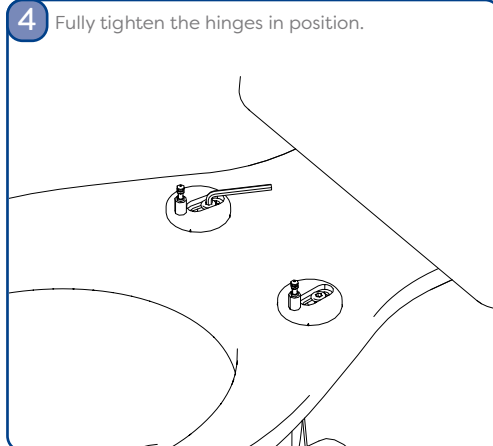
Use bottom fixings on standard pans.



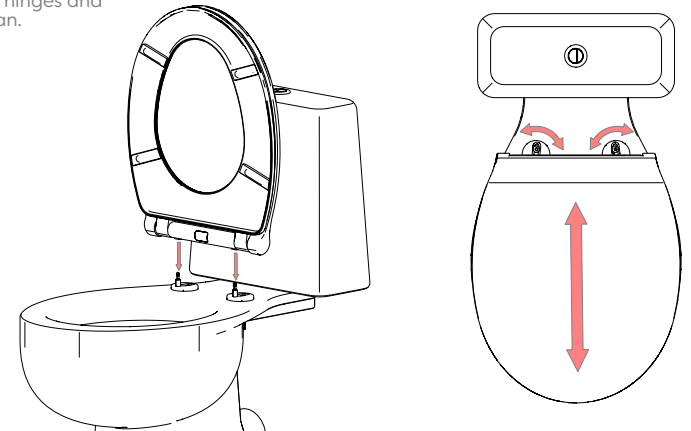
- 3 Once aligned, lift the seat upright whilst ensuring the hinges do not move. Then fully push and release the centre button and lift the seat away from the hinges.



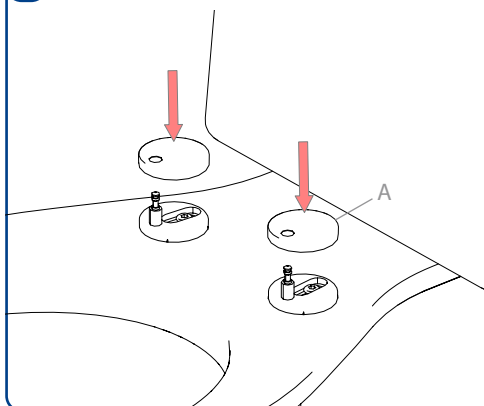
- 4 Fully tighten the hinges in position.



- 2 Attach the seat onto the hinges and adjust to fit your toilet pan.



- 5 Place the metal covers over the hinges and re-attach the toilet seat.



FOR CLEANING

Look to step 3 for instructions on how to utilise the quick release function which allows you to remove the seat for cleaning.